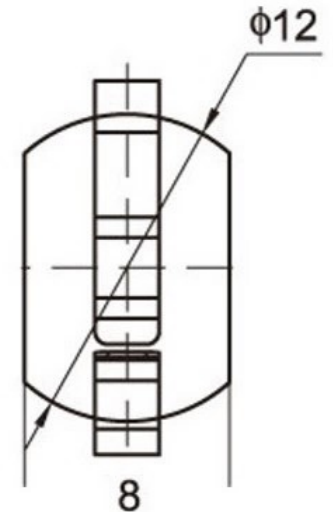
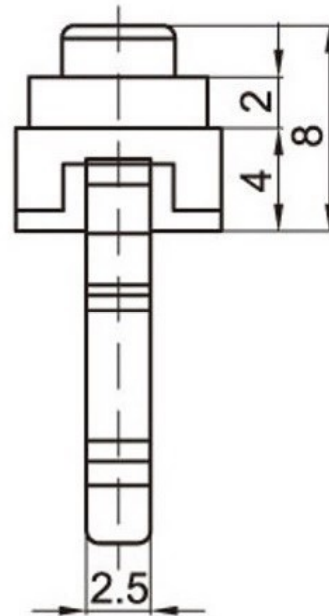
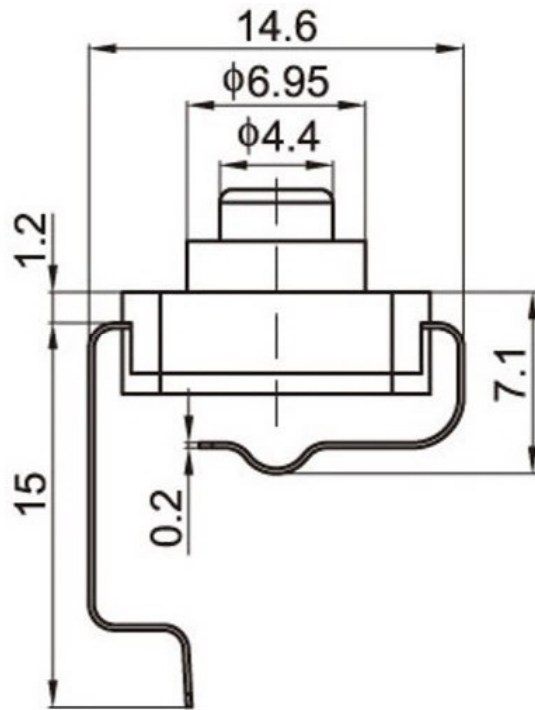


SCHEMATIC (NON-SHORTING)



注：“\*”□表示关键尺寸(3个)。

NO.	PARTS	MATERIALS	Q'TY	TOLERANCE UNLESS SPECIFIED	ISSUE	DATE	DESCRIPTIONS OF REVISION	APPD.
8								
7								
6				WITHIN 1.5mm : ±0.1mm OVER 1.5mm : ±0.2mm	A	2012-8-13	初版	
5	SPRING	SUS	1	NATURAL				
4	CAM STICK	SUS	1	NATURAL				
3	CASE	PA66/BRASS STRIP	1	GREY/Ag PLATED				
2	COVER	PA66	1	BLACK				
1	KNOB	PA66/PBS C5210R-EH	1	WHITE/Ag CLAD				
				TITLE : VERTICAL PUSH SWITCH		UNIT : mm	DRWG NO.:	
				MODEL:		SCALE: 5:1	DWN.	2012-8-13
				东莞市高迪电子有限公司			CHK'D	
							APPD.	2012-8-13